

Modular Preparation 600 mm Ambient Unit with 3 Drawers

ITEM # _____

MODEL # _____

NAME # _____

SIS # _____

AIA # _____


121824 (TE3C6)

 Ambient Unit with 3 drawers,
600mm

Short Form Specification

Item No. _____

Constructed entirely in 304 AISI stainless steel with front and rear longitudinal stainless steel c-channel reinforcement. Internal and external side panels with sound deadening reinforcements to strengthen structure. Drawers in 304 AISI stainless steel with telescopic runners for easy extraction of GN containers. 45° degree internal side corner junction system. 150mm height-adjustable (0/+90mm) oversized feet (65x65mm) can be removed for masonry installation.

Main Features

- Masonry installation possible by simply removing feet.
- Extremely easy to clean thanks to the smooth edges.
- Accepts GN containers up to 150 mm in height.

Construction

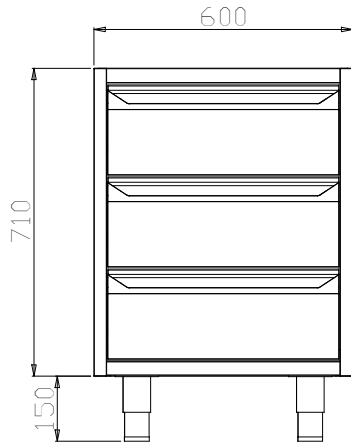
- Made in 304 AISI CrNi 18/10 stainless steel with Scotch Brite finish.
- Front and rear lengthwise stainless steel c-channel reinforcement, 15/10 (16 gauges).
- Sound deadening reinforcements between internal and external side panels to strengthen structure.
- Mounted on 150 mm height adjustable (0/+90 mm) oversized (65x65 mm) feet.
- Telescopic runners to ease extraction of GN containers.
- Drawer with 45° degrees internal corner junction system.

Optional Accessories

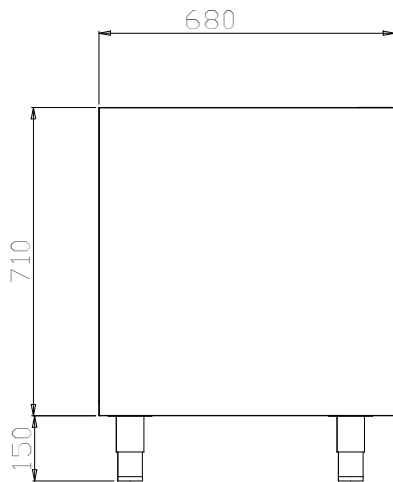
- Stainless steel plinth, 600mm PNC 855822
- Stainless steel plinth for end elements, 700mm depth PNC 855837

APPROVAL: _____

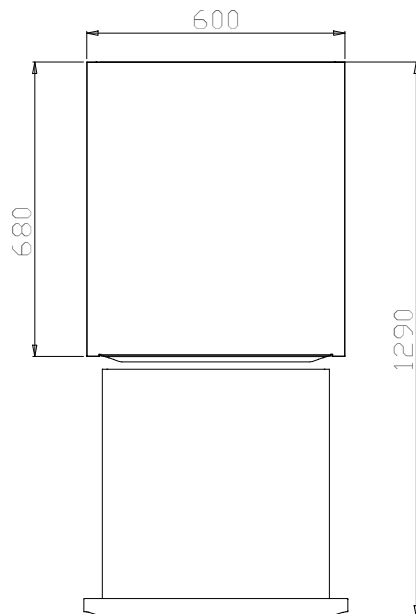
Front



Side



Top



Key Information:

External dimensions, Width:	
121824 (TE3C6)	600 mm
External dimensions, Depth:	680 mm
External dimensions, Height:	860 mm
Net weight:	42 kg